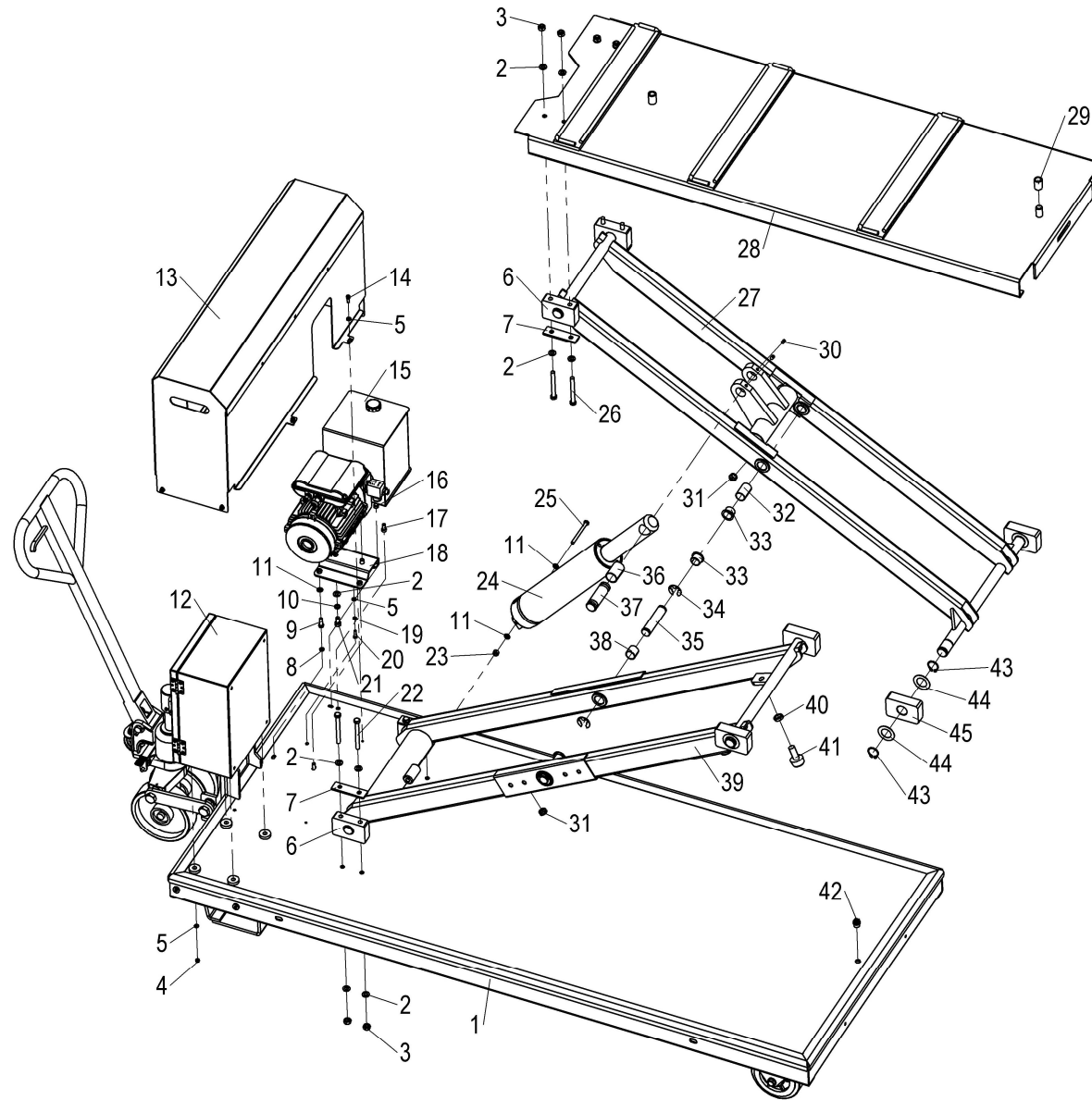


TAV.1	LIFT	ED. 06.2021
-------	------	-------------

ITEM	PART NO.	DESCRIPTION	QTY	REMARK
1	J53L100000	Lifting device	1	
2	0201193	Screw GB/T5782/M8X65	1	
3	0205008	Washer GB/T97.1/8	18	
4	J53C000001	Support	3	
5	0215138	Steel ball GB308/Φ 18	48	
6	J53L000003	Limit bush	1	
7	0205009	Washer GB/T96/8	1	
8	0204004	Nut GB/T889.1/M8	3	
9	0690307	Quick clamp CH-36204M	4	
10	0201042	Screw GB/T5783/M8X20	12	
11	0208006	Washer GB/T93/8	12	
12	J53C300004	Handle	4	
13	0202093	Screw GB/T70.1/M8X50	2	
14	0508422	Electric putter	2	
15	0204007	Nut GB/T889.1/M12	2	
16	0205013	Washer GB/T97.1/12	4	
17	0204016	Nut GB/T6172.1/M12	2	
18	0214044	Bearing SI12T/K	2	
19	0202100	Screw GB/T70.1/M12X60	2	
20	J53C000002	Limit plate	2	
21	J53L300000	Three layers cover	1	
22	J53C000200	Support bush	1	
23	0205011	Washer GB/T97.1/10	8	
24	0208007	Washer GB/T93/10	8	
25	0201064	Screw GB/T5783/M10X25	4	
26	0211035	Seeger GB-T895.1 42	1	
27	0201050	Screw GB/T5783/M10X35	4	

TAV.1	LIFT	ED. 06.2021
-------	------	-------------

28	J53C000100	Support	1
29	J53L220000	Platform	1

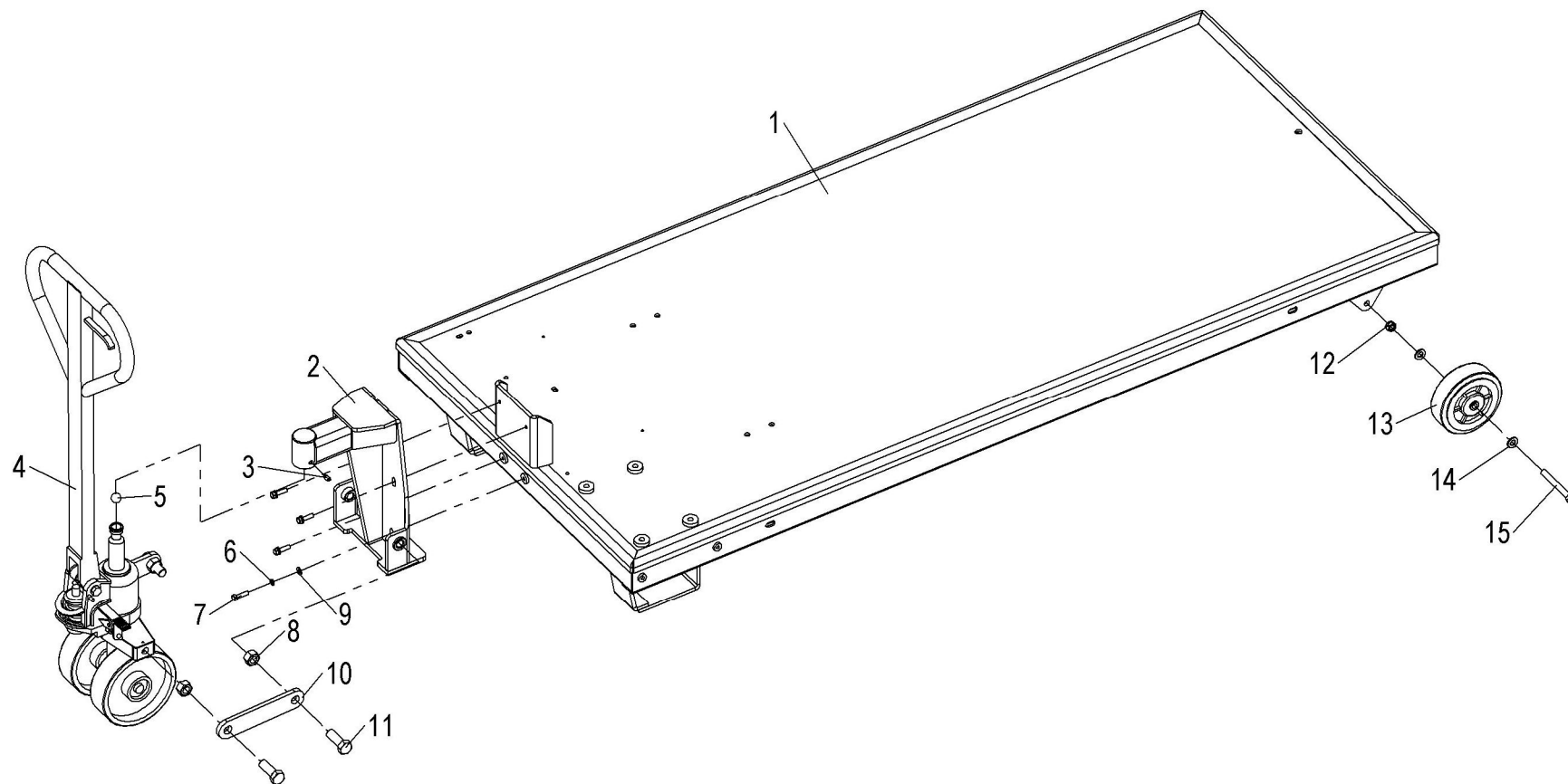


TAV.2	LIFTING DEVICE	ED. 06.2021
-------	----------------	-------------

ITEM	PART NO.	DESCRIPTION	QTY	REMARK
1	J53D110000	Movable jack	1	
2	0205011	Washer GB/T97.1/10	18	
3	0204005	Nut GB/T889.1/M10	8	
4	0204003	Nut GB/T889.1/M6	4	
5	0205006	Washer GB/T97.1/6	11	
6	J53C100001	Fixed block	4	
7	J53C100003	Pallet	4	
8	0208006	Washer GB/T93/8	3	
9	0201038	Screw GB/T5783/M8X25	3	
10	0208007	Washer GB/T93/10	2	
11	0205008	Washer GB/T97.1/8	5	
12	J53DD11000	Control panel	1	
13	J53L150000	Cover	1	
14	0202032	Screw GB/T70.1/M6X16	6	
15	BZ-V63-J5T	Hydraulic power unit	1	
16	0202097	Screw GB/T70.1/M8X10	1	
17	0202040	Screw GB/T70.1/M8X16	1	
18	J53C100100	Fixed plate	1	
19	0208005	Washer GB/T93/6	1	
20	0201014	Screw GB/T5783/M6X20	1	
21	0202060	Screw GB/T70.1/M10X20	2	
22	0201056	Screw GB/T5783/M10X100	4	
23	0204004	Nut GB/T889.1/M8	1	
24	J53CY80000	Hydraulic cylinder	1	
25	0201182	Screw GB/T5782/M8X90	1	
26	0201071	Screw GB/T5783/M10X90	4	
27	J53C130000	Inner scissor arm	1	

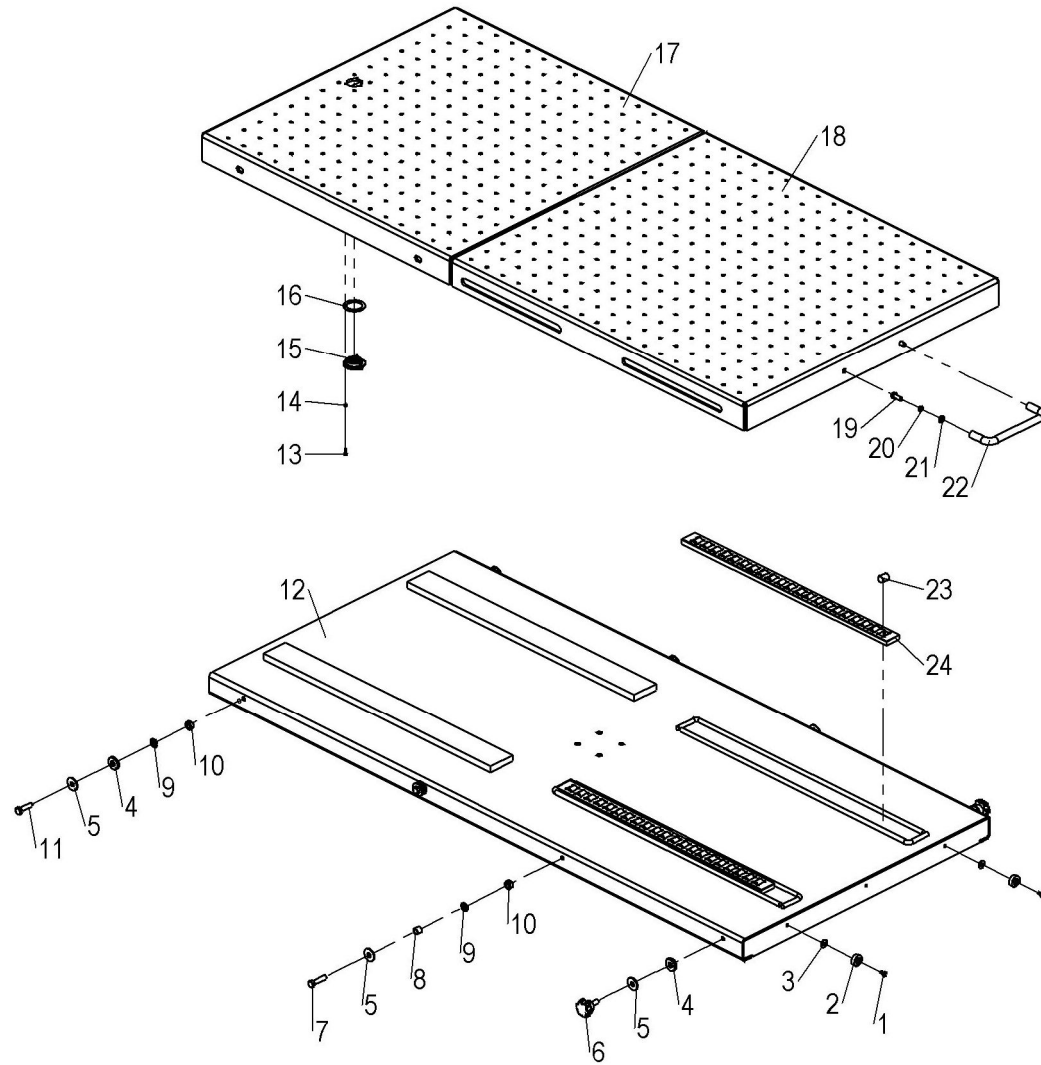
TAV.2	LIFTING DEVICE	ED. 06.2021
-------	----------------	-------------

28	J53L140000	Cover	1
29	J53C100007	Buffer tube	2
30	0209032	Screw GB/T80/M8X12	2
31	0606024	Cable relief 16	2
32	0210011	Self-lubricated bush SF-1/2545	2
33	0210041	Self-lubricated bush SF-1/2520F	2
34	0211003	Seeger D.19	4
35	J53C100006	Middle shaft	2
36	0210017	Self-lubricated bush SF-1/3050	1
37	J53C100005	Upper shaft	1
38	0210009	Self-lubricated bush SF-1/2525	2
39	J53C120000	Outer scissor arm	1
40	0204032	Nut GB/T6172.1/M16	2
41	YA10-1601BH	Buffer Screw	2
42	0313087	Thread plug M16x1.5	1
43	0212021	Seeger GB/T894.1/30	6
44	J53C100004	Spacer 30	6
45	J53C100002	Slider	4



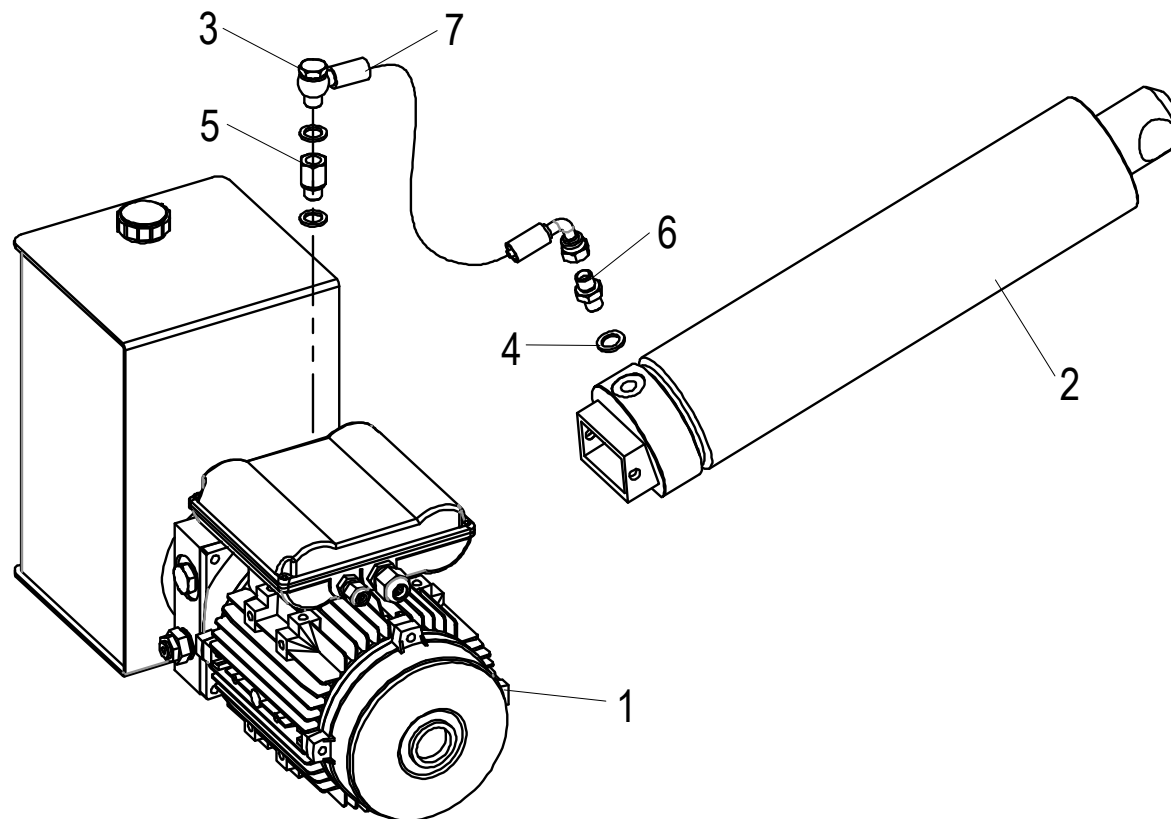
TAV.3	MOVABLE JACK	ED. 06.2021
-------	--------------	-------------

ITEM	PART NO.	DESCRIPTION	QTY	REMARK
1	J53L111000	Base	1	
2	J53C113000	Jack bracket	1	
3	0209027	Screw GB/T79/M8X16	1	
4	0313060	Mobile jack TC-200	1	
5	0215077	Steel ball D.20	1	
6	0208006	Washer GB/T93/8	3	
7	0201031	Screw GB/T5783/M8X30	4	
8	0203015	Nut GB/T6170/M18	4	
9	0205008	Washer GB/T97.1/8	4	
10	J53C110001	Connection plate	2	
11	0201108	Screw GB/T5783/M18X50	4	
12	0204007	Nut GB/T889.1/M12	2	
13	0690289	Wheel 150x50	2	
14	0205013	Washer GB/T97.1/12	4	
15	0201194	Screw GB/T5782/M12X100	2	



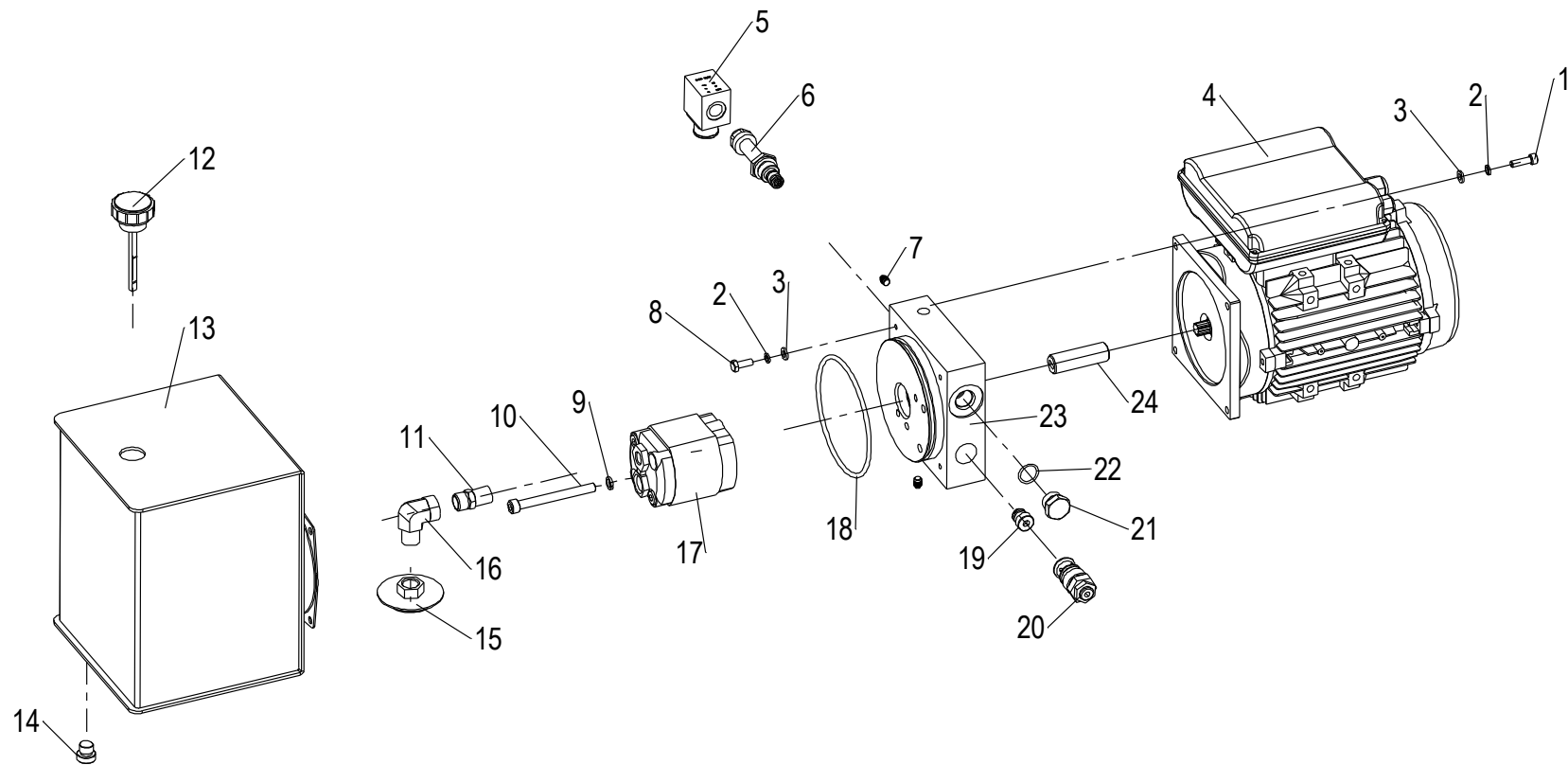
TAV.4	THREE LAYER COVER	ED. 06.2021
-------	-------------------	-------------

ITEM	PART NO.	DESCRIPTION	QTY	REMARK
1	0207084	Screw GB/T70.3/M6X12	2	
2	J44A100014	Rubber cushion	2	
3	0205007	Washer GB/T96/6	2	
4	J53F300004	Nylon spacer	6	
5	0205010	Washer GB/T96/10	8	
6	0215012	Hand wheel	2	
7	0201068	Screw GB/T5783/M10X40	2	
8	J53C300005	Bush	2	
9	0205011	Washer GB/T97.1/10	6	
10	0204005	Nut GB/T889.1/M10	6	
11	0201050	Screw GB/T5783/M10X35	4	
12	J53L310000	Lower cover	1	
13	0202003	Screw GB/T70.1/M3X12	3	
14	0205001	Washer GB/T97.1/3	3	
15	0511281	Bubble D.49	1	
16	J53H300007	Washer	1	
17	J53H300002	Fixed cover	1	
18	J53H300003	Movable cover	1	
19	0201042	Screw GB/T5783/M8X20	2	
20	0208006	Washer GB/T93/8	2	
21	0205008	Washer GB/T97.1/8	2	
22	J53C300004	Handle	1	
23	0214058	Roller 16x20	42	
24	J53C300001	Support	2	



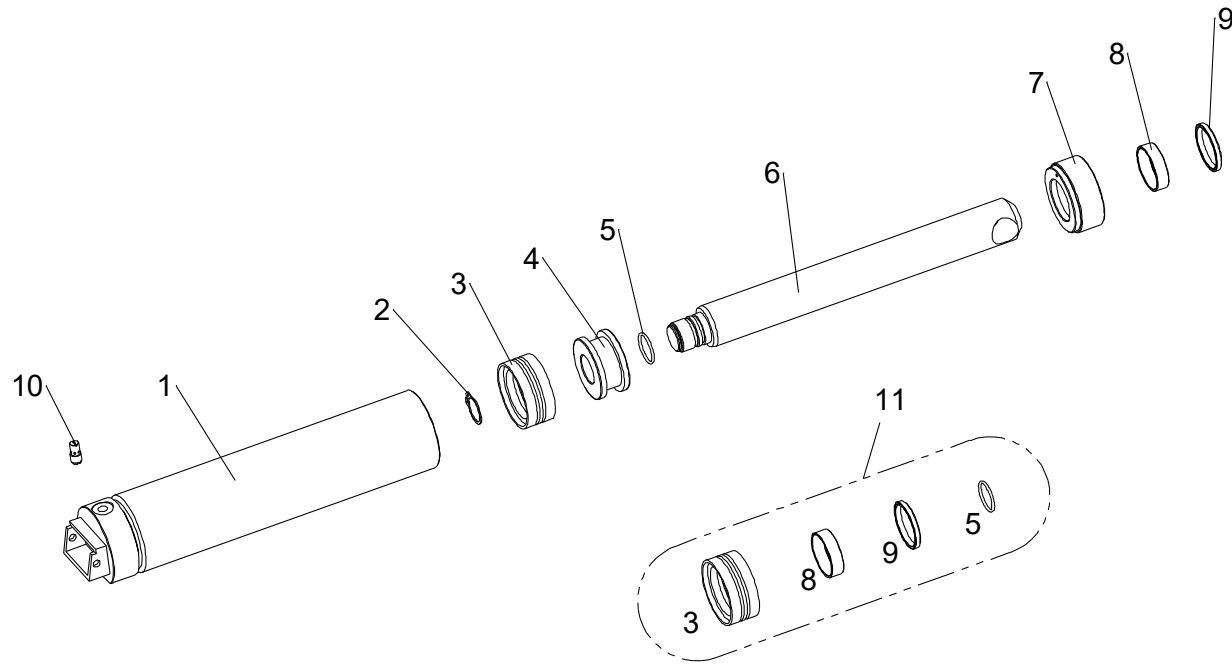
TAV.7	HYDRAULIC SYSTEM	ED. 06.2021
-------	------------------	-------------

ITEM	PART NO.	DESCRIPTION	QTY	REMARK
1	BZ-V63-J5T	Hydraulic power unit	1	
2	J53CY80000	Hydraulic cylinder	1	
3	0303027	Special screw	1	
4	0313001	Washer BS/A13.70	4	
5	0303128	Union 5B-04	1	
6	0303065	Union 1B-04	1	
7	WJ700	Hydraulic hose L=700	1	



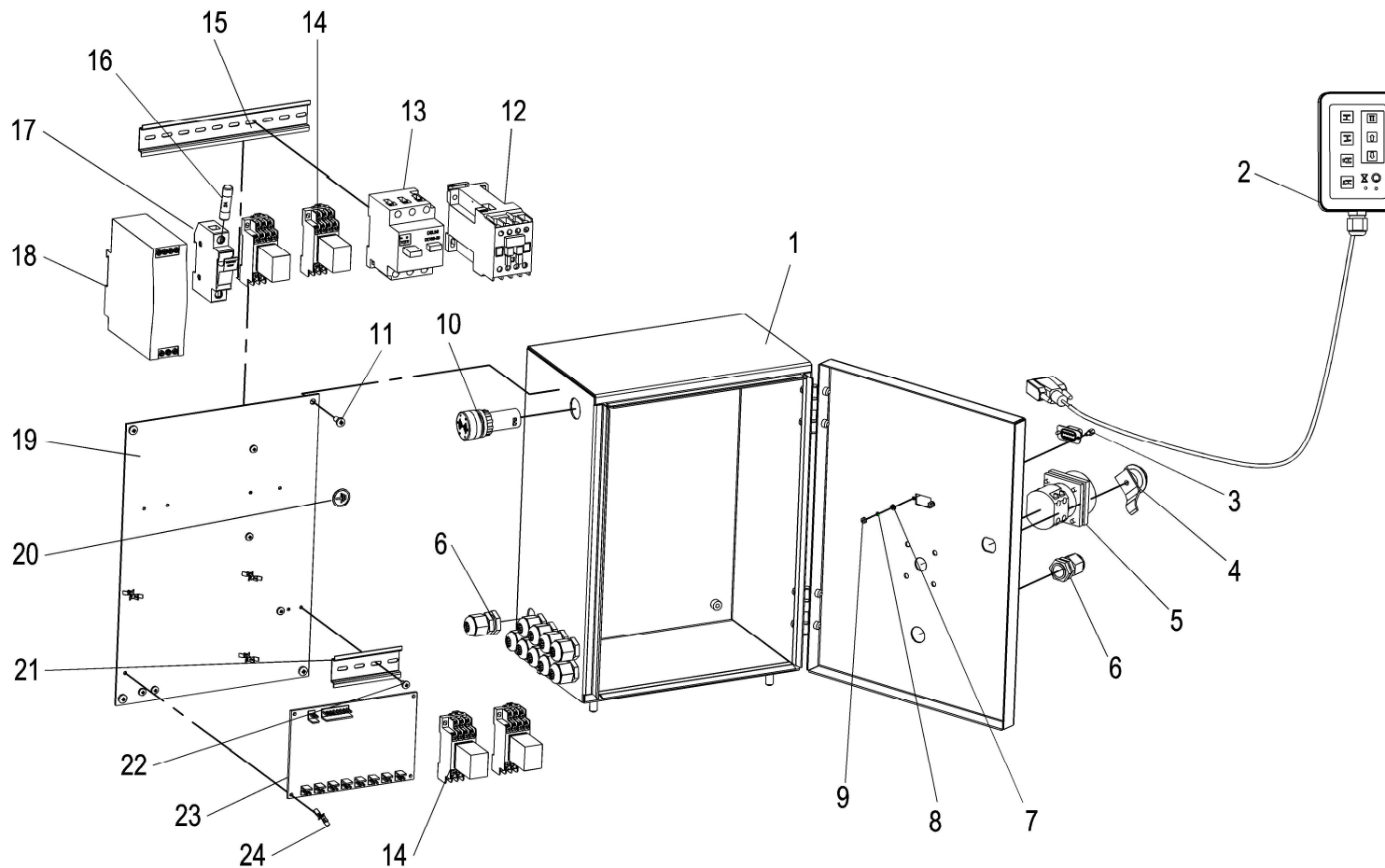
TAV.8	HYDRAULIC POWER UNIT	ED. 06.2021
-------	----------------------	-------------

ITEM	PART NO.	DESCRIPTION	QTY	REMARK
1	0202033	Screw GB/T70.1/M6X20	4	
2	0208005	Washer GB/T93/6	8	
3	0205006	Washer GB/T97.1/6	8	
4	0509213	Motor 220V50Hz1ph4p 1.5KW S3	1	
5	0307059	Coil AC24VC 166455OC1	1	
6	0307051	Auto lowering Down valves	1	
7	0305001	Plug QD07	2	
8	0201013	Screw GB/T5783/M6X16	4	
9	0208006	Washer GB/T93/8	2	
10	0202051	Screw GB/T70.1/M8X80	2	
11	0305090	Oil suction pipe Z3/8X35	1	
12	0305087	Oil level plug G3/4"	1	
13	HK6-11000	Oil tank	1	
14	0305016	Oil plug	1	
15	0305010	Oil filter 3/8	1	
16	0303007	Union 3/8	1	
17	0301008	Gear pump 2.1CC	1	
18	0309101	O-ring 112X4	1	
19	0307067	Non return valve	1	
20	0307010	Pressure overload valve	1	
21	BZ-SD-01	Plug	1	
22	0309054	O-ring 17X2	1	
23	BZ-ZB-V63	Manifold	1	
24	0305096	Pump joint BZ-9-57	1	



TAV.9	HYDRAULIC CYLINDER	ED. 06.2021
-------	--------------------	-------------

ITEM	PART NO.	DESCRIPTION	QTY	REMARK
1	J53CY81000	Cylinder liner	1	
2	0212007	Seeger GB/T894.1/32	1	
3	J53CY88004	Piston	1	
4	0312016	Gasket 80X60X22.4	1	
5	0309115	O-ring 38X3.1	1	
6	J53CY88003	Piston shaft	1	
7	J53CY88002	Cylinder guiding cover	1	
8	0305040	Guider ring 50X15X2.5	1	
9	0311010	Scraper 50X58X5/6.5	1	
10	0307125	Lowering speed control valves	1	
11	J53CY80000-M	Hydraulic cylinder seal kit	1	



TAV.10	CONTROL PANEL	ED. 06.2021
---------------	----------------------	--------------------

ITEM	PART NO.	DESCRIPTION	QTY	REMARK
1	J53CD11300	Control box	1	
2	J53CD12000	Remote control switch	1	
3	0204053	Isolation pin	2	
4	0590007	Lock	1	
5	0505028	Power switch	1	
6	0508252	Cable relief M18	11	
7	0205001	Washer GB/T97.1/3	2	
8	0208001	Washer GB/T93/3	2	
9	0203001	Nut GB52/M3	2	
10	0502021	Beeper XB2BSB4LC 24V	1	
11	0206024	Screw GB/T818/M5X10	4	
12	0501044	Contacto 1210/DC24V	1	
13	0501019	Breaker DZ108-20/10-16A	1	
14	0501012	Intermediate relay DC24V	4	
15	454130800	Guide DZ47 L=200mm	1	
16	0504010	Overload cutoff 2A 10X38	1	
17	0504001	Support RT18-32	1	
18	0501089	Power switch NDR-120-24	1	
19	J53CD11101	Support	1	
20	0610380	Ground decal	1	
21	454130300	Guide DZ47 L=80mm	1	
22	0206019	Screw GB/T818/M4X6	9	
23	0507492	CPU board 202	1	
24	0508302	Holder HDB-16A	4	